

Restaurant Hood Temperature Monitor

Model#: CKVTM-S1



- Single Switch Output
- Internal Adjustment with Reference Dial
- Reliable Performance
- Low Cost

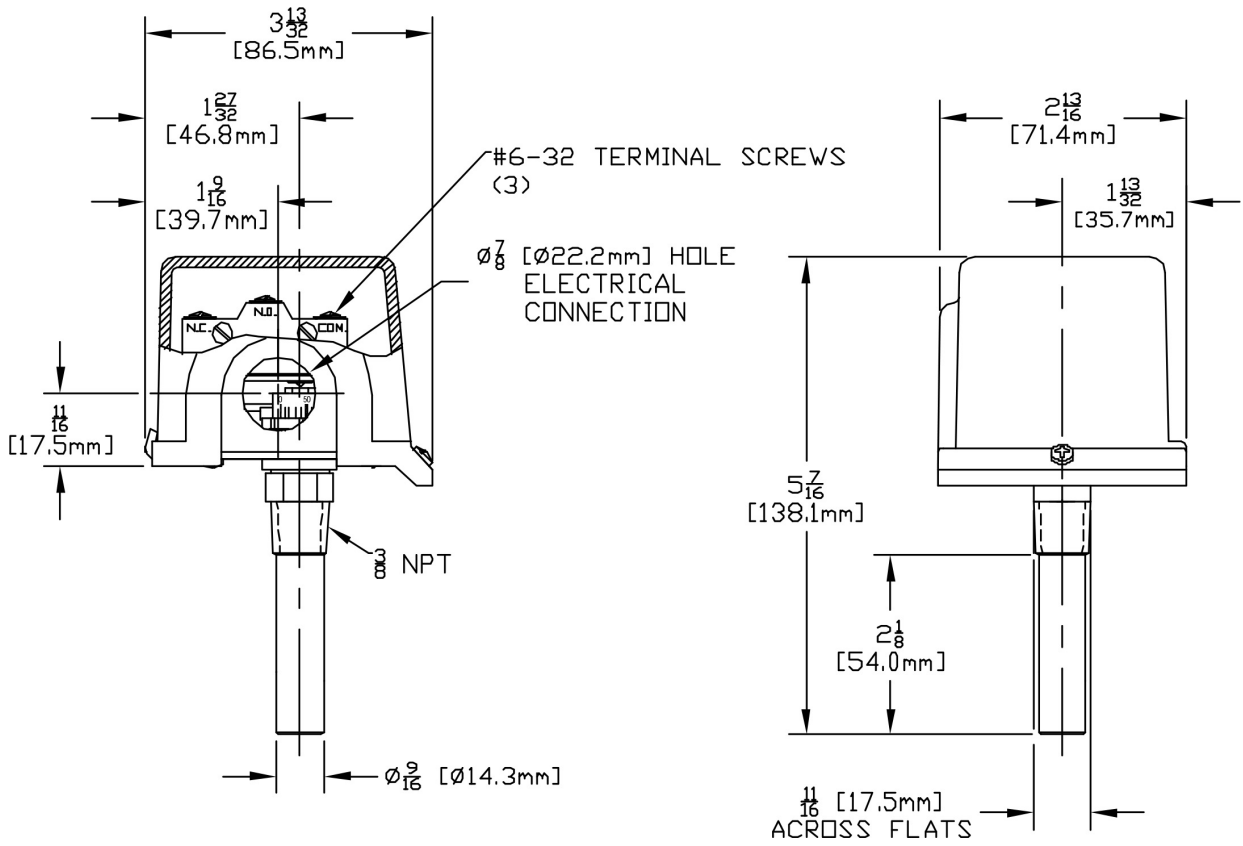
STORAGE TEMPERATURE	-65 to 160°F (-54 to 71°C)
AMBIENT TEMPERATURE	
Limits	-40 to 160°F (-40 to 71°C). Set point typically shifts less than 1% of range for a 50°F (28°C) ambient temperature change
SHOCK	Set point repeats after 15 G, 10 millisecond duration
VIBRATION	Set point repeats after 2.5 G, 5-500 Hz
ENCLOSURE CLASSIFICATION	Complies with NEMA 1 requirements
SET POINT REPEATABILITY	± 1% of full scale range
SWITCH OUTPUT	One snap SPDT action switch may be wired “normally open” or “normally closed”
ELECTRICAL RATING	15A 125/250/480 VAC resistive.
ENCLOSURE MATERIAL	Lexan® black finish
WEIGHT	Approximately 12 oz.
ELECTRICAL CONNECTION	7/8” diameter hole
TEMPERATURE ASSEMBLY	Bulb and Capillary: 6 feet copper or 304 stainless steel capillary Immersion Stem: Brass
TEMPERATURE FILL	Non-toxic oil
TEMPERATURE DEADBAND	Typically 1% of range under laboratory conditions (70°F circulating bath at rate of 1/2°F per minute change)



United States and Canada
 UL listed, cUL certified
 Pressure: UL 508, CSA C22.2 No. 14,
 file # E42272

Restaurant Hood Temperature Monitor

Model#: CKVTM-S1



United States and Canada
 UL listed, cUL certified
 Pressure: UL 508, CSA C22.2 No. 14,
 file # E42272